

OLYMPUS

IS/L LENS B-MACRO H.Q. CONVERTER f=40cm

- 使用説明書
- INSTRUCTIONS
- GEBRAUCHSANLEITUNG
- MODE D'EMPLOI
- INSTRUCCIONES

J このレンズはオリンパスカメラL-3のレンズに取り付け、簡単にマクロ撮影が行えるクローズアップレンズです。

E This close-up conversion lens can be easily attached to the lens of the Olympus IS-3/IS-3000 for macro photography.

G Dieser Makro-Konverter kann auf einfache Weise am Objektiv der Olympus-Kamera IS-3/IS-3000 angebracht werden.

F Cette lentille de conversion macro peut être facilement fixée sur l'objectif de l'Olympus IS-3/IS-3000 pour de la macrophotographie.

S Este convertidor para primeros planos puede fijarse fácilmente en el objetivo de la Olympus IS-3/IS-3000 para macrofotografía.



ISO	F
25	5.6
50	8
100	11
200	16
400	22

E

MOUNTING THE CONVERTER

1. Attach the converter to the camera lens, and tighten by gently turning. Make sure the converter is fixed firmly.

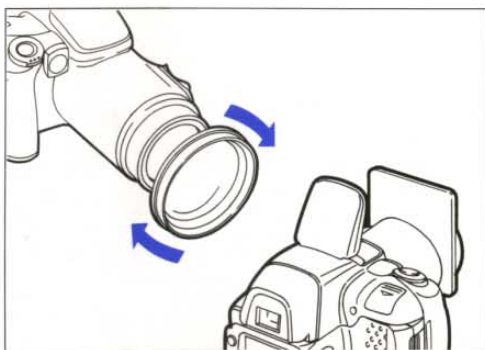
Notes:

- When a filter is mounted on the camera's lens, remove the filter before mounting the converter.
- Do not mount the converter too tightly.

2. Insert the provided diffuser into the outer slit of the converter and align • on the diffuser with • on the camera lens.

Notes:

- Mount the diffuser while facing the ISO/F number chart inside (toward the camera body).
- When mounting the diffuser, hold the camera's lens, being sure not apply excessive force to the lens.



TAKING PICTURES

1. Set the exposure mode to A.

2. Select the aperture setting by referring to Table 1.

Note: Use film with ISO 25 ~ 400.

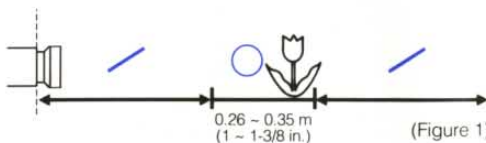
3. Flip up the built-in flash.

4. Make sure the subject is within the working distance (0.26 m ~ 0.35 m / 1 ~ 1-3/8 in). (See Figure 1)

Note: When the subject is beyond the working distance, the camera may release the shutter but won't focus on the subject.

ISO	F
25	5.6
50	8
100	11
200	16
400	22

(Table 1)



(Figure 1)

(Table 2)

Picture size mm (in)	Longer side	360 (14-3/16)	180 (7-1/16)	120 (4-3/4)	90 (3-9/16)	72 (2-13/16)	60 (2-3/8)	
		Shorter side	240 (9-7/16)	120 (4-3/4)	80 (3-1/8)	60 (2-3/8)	48 (1-7/8)	40 (1-9/16)
Magnification ratio		0.1x	0.2x	0.3x	0.4x	0.5x	0.6x	
f = 35 mm ~ 180 mm		f = 35 mm					f = 180 mm	

5. Aim the camera at your subject. Position the subject within the autofocus frame and press the shutter release button halfway to focus on the subject.

Note: When you want to change the composition, press the zoom button to zoom in or out, then focus on the subject again. (See Table 2)

6. Make sure the subject is in focus and depress the shutter release button fully.

Notes:

- When there is sufficient light, the flash may not fire. To activate the flash regardless of available light, set the flash mode to FILL-IN.
- The converter cannot be combined with the camera's macro mode, for this will result in incorrect exposure when the built-in flash is used and cause a narrowed picture area.
- When the flash is not used: Just mount the converter on the lens. Follow the procedure below step 4 in "Taking Pictures."

IMPORTANT

- Filters cannot be used.
- The Electronic Flash G40 cannot be used.
- Use of a tripod is recommended to prevent the camera from shaking.
- With insufficient lighting, the subject may not be in focus even though the AF illuminator lights. Shoot where there is sufficient lighting.

CARE AND STORAGE

- The usable temperature range is from -10° to +40°C (14° to 104°F).
- Avoid sudden temperature changes and humidity, and do not expose the lens to water.
- Avoid strong impacts caused by bumping or dropping the lens.
- Do not touch the lens surface. If dirt such as fingerprints or dust adheres to the lens surface, clean with lens cleaning tissue or a soft cloth.
- Do not use organic solvents, thinners, or benzene to clean the lens.

SPECIFICATIONS

Optical construction: 2 elements in 2 groups
Diameter: 64 mm (2-1/2 in)
Length: 11 mm (7/16 in)
Weight: 105 g (3.7 oz)

SPECIFICATIONS ARE SUBJECT TO CHANGE WITHOUT ANY NOTICE OR OBLIGATION ON THE PART OF THE MANUFACTURER.

OLYMPUS OPTICAL CO., LTD. San-Ei Building, 22-2, Nishi Shinjuku 1-chome, Shinjuku-ku, Tokyo, Japan. Tel. 03-3340-2211

OLYMPUS AMERICA INC. Crossways Park, Woodbury, New York 11797-2087, U.S.A. Tel. 516-364-3000

OLYMPUS OPTICAL CO. (EUROPA) GMBH. (Premises/Goods delivery) Wendenstrasse 14-16, 20097 Hamburg, Germany. Tel. 040-237730
(Letters) Postfach 10 49 08, 20034 Hamburg, Germany.

OLYMPUS OPTICAL CO. (U.K.) LTD. 2-8 Honduras Street, London EC1Y 0TX, United Kingdom. Tel. 071-253-2772